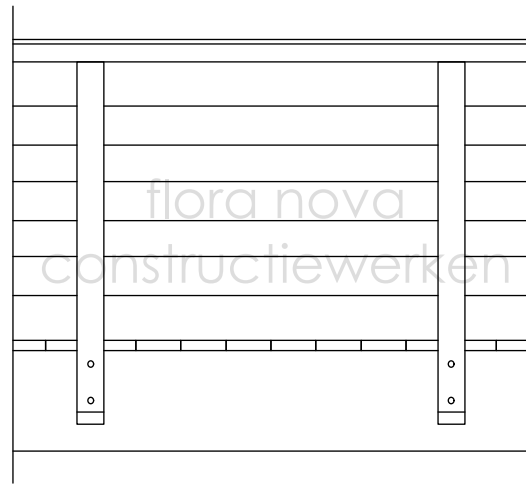
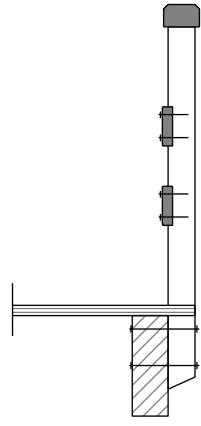
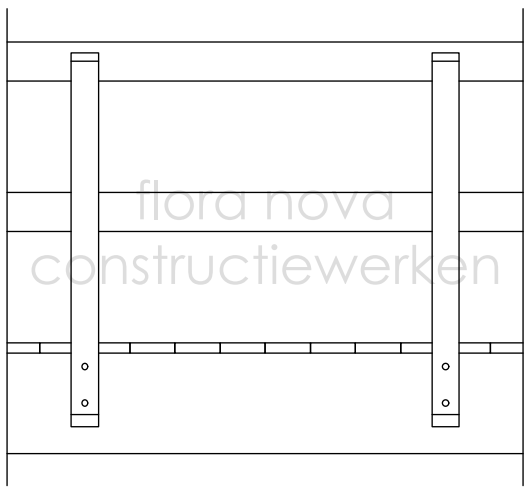
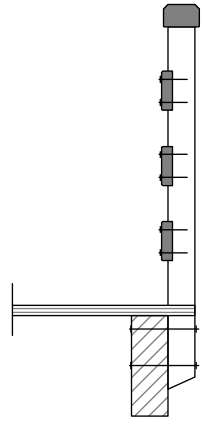


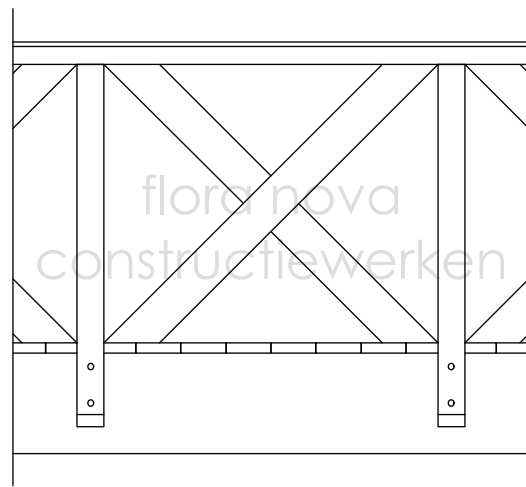
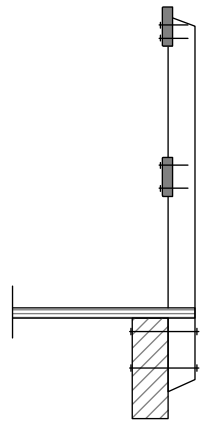
Leuning type A



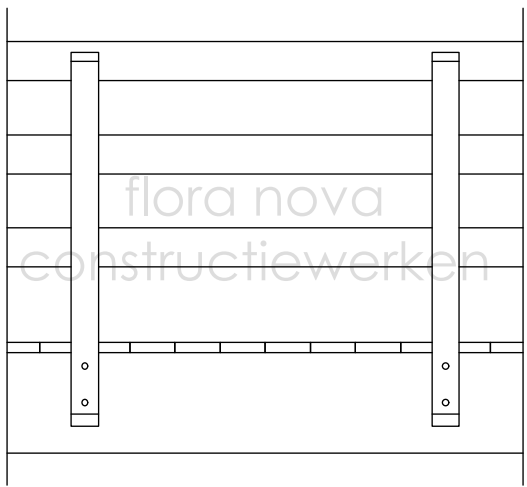
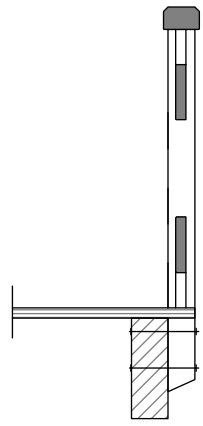
Leuning type D



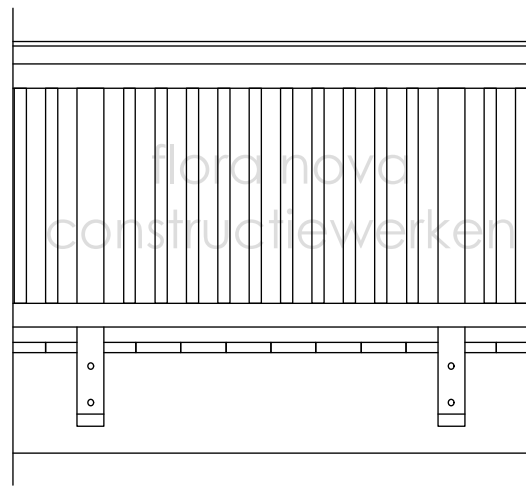
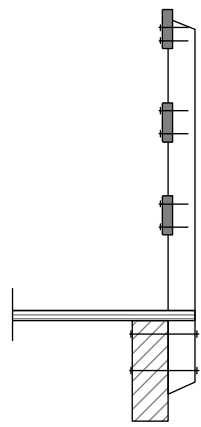
Leuning type B



Leuning type E



Leuning type C



Leuning type F

